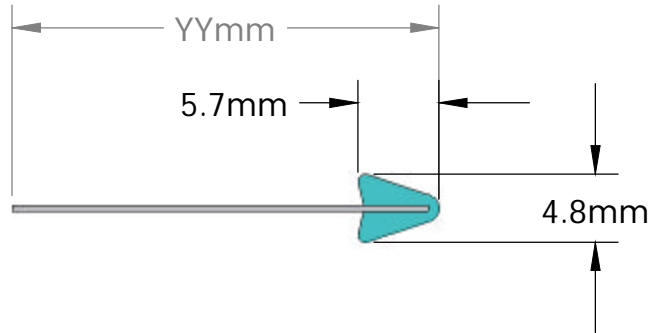


HOPE GLOBAL BEADED PROFILE NUMBERING SYSTEM

500	77XY	XXXXX	93431	XXXXXXX
	<u>Profile</u>	<u>Beaded Material</u>		<u>Customer Pattern</u>
	X=	XXXXX=		XXX=
	0 = Arrow head	00935 = standard - BLUE		001
	2 = 4 mm round	00990 = High impact - YELLOW		to
	3 = 5 x 4 mm oval	00880 = standard - CLEAR		999
		03621 = High impact - WHITE		
	<u>Width</u>			<u>Length</u>
	01 = 30 mm			YYYY=
	02 = 35 mm			0200 = 200 mm
	03 = 40 mm			to
	04 = 20 mm			1524 = 1524 mm
	08 = 25 mm			
	09 = 45 mm			
	10 = 50 mm			
	14 = 60 mm			

HOPE GLOBAL CLIP NUMBERING SYSTEM


40629	Gray festooned trim clip dual
40632	Gray festooned trim clip single

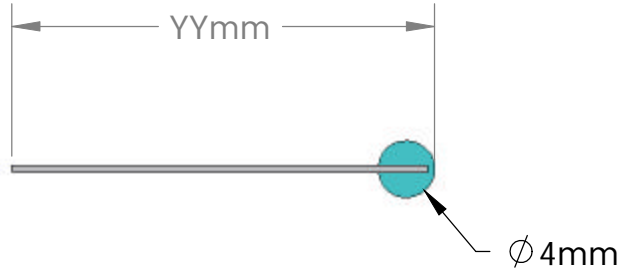


YY = WIDTH
01 = 30mm
02 = 35mm
03 = 40mm
04 = 20mm
08 = 25mm
09 = 45mm
10 = 50mm
14 = 60mm

NOTES:

1. MEETS FLAMMABILITY FMVSS 302
2. CUSTOM LENGTH AND CUT PATTERNS AS SPECIFIED.
3. MATES TO HOPE GLOBAL CLIP


		50 Martin Street Cumberland, R.I. 02864 P: 401- 333- 8990 F: 401- 334- 6442 Info: www.hopeglobal.com		
TITLE BEADED PROFILE 5.7mm x 4.8mm ARROW HEAD				
SIZE A	PROJECT NO.	DRAWING NO. 770YY	REV. A	
SCALE: NTS	CONTROLLED IN ELECTRONIC FORMAT ONLY			SHEET: 1 OF 1

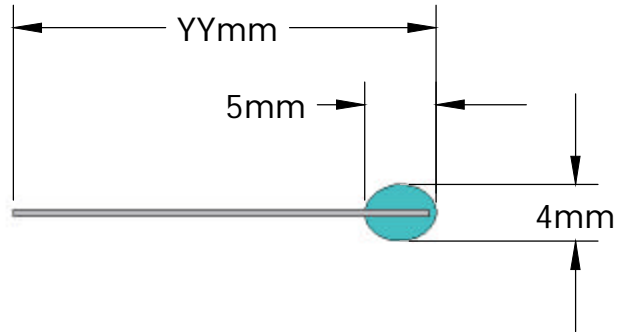


YY = WIDTH
01 = 30mm
02 = 35mm
03 = 40mm
04 = 20mm
08 = 25mm
09 = 45mm
10 = 50mm
14 = 60mm

NOTES:

1. MEETS FLAMMABILITY FMVSS 302
2. CUSTOM LENGTH AND CUT PATTERNS AS SPECIFIED.


		50 Martin Street Cumberland, R.I. 02864 P: 401- 333- 8990 F: 401- 334- 6442 Info: www.hopeglobal.com		
TITLE <p style="text-align: center;">BEADED PROFILE ROUND BEAD</p>				
SIZE		PROJECT NO.	DRAWING NO.	REV.
A			772YY	A
SCALE: NTS	CONTROLLED IN ELECTRONIC FORMAT ONLY			SHEET: 1 OF 1



YY = WIDTH
01 = 30mm
02 = 35mm
03 = 40mm
04 = 20mm
08 = 25mm
09 = 45mm
10 = 50mm
14 = 60mm

NOTES:

1. MEETS FLAMMABILITY FMVSS 302
2. CUSTOM LENGTH AND CUT PATTERNS AS SPECIFIED.

		50 Martin Street Cumberland, R.I. 02864 P: 401- 333- 8990 F: 401- 334- 6442 Info: www.hopeglobal.com		
TITLE BEADED PROFILE OVAL BEAD				
SIZE A	PROJECT NO.	DRAWING NO. 773YY	REV. A	
SCALE: NTS	CONTROLLED IN ELECTRONIC FORMAT ONLY			SHEET: 1 OF 1




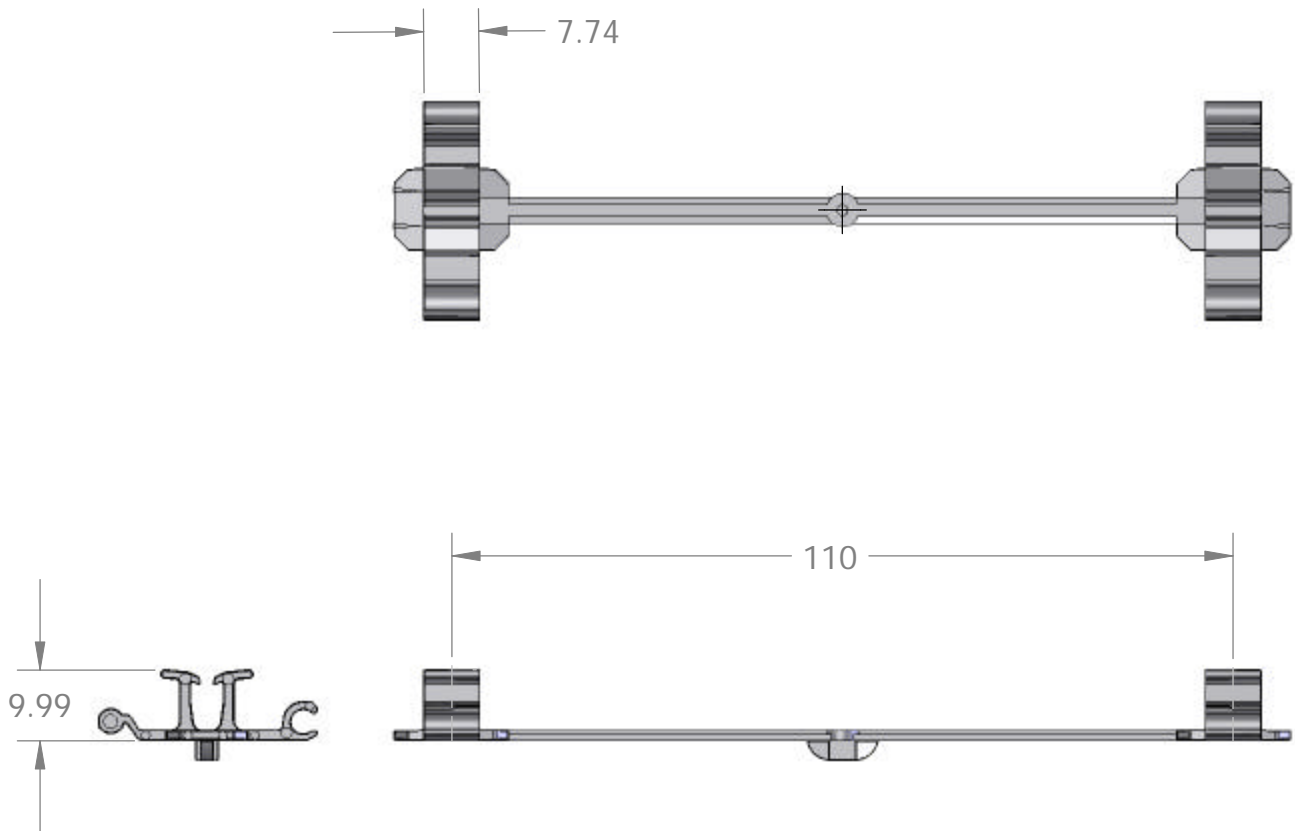
77000 SERIES
770YY = ARROW HEAD
772YY = ROUND HEAD
773YY = OVAL HEAD

YY = WIDTH
01 = 30mm
02 = 35mm
03 = 40mm
04 = 20mm
08 = 25mm
09 = 45mm
10 = 50mm
14 = 60mm

NOTES:


1. MEETS FLAMMABILITY FMVSS 302
2. CUSTOM LENGTH AND CUT PATTERNS AS SPECIFIED.

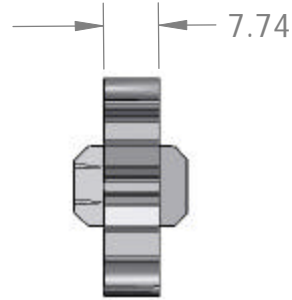
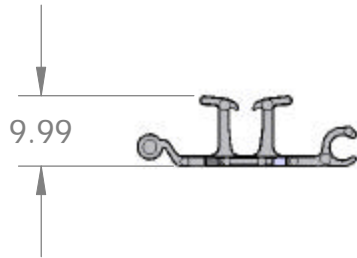
		50 Martin Street Cumberland, R.I. 02864 P: 401- 333- 8990 F: 401- 334- 6442 Info: www.hopeglobal.com		
TITLE BEADED PROFILE with CUSTOM CUTOUTS				
SIZE A	PROJECT NO.	DRAWING NO.	REV. A	
SCALE: NTS	CONTROLLED IN ELECTRONIC FORMAT ONLY			SHEET: 1 OF 1



NOTES:


1. COLOR: GRAY
2. FLAMMABILITY REQUIREMENT: FMVSS 302 WITH MAX BURN RATE OF 80mm/MINUTE.
3. MATES TO HOPE GLOBAL BEADED PROFILE 77000 SERIES.

		50 Martin Street Cumberland, R.I. 02864 P: 401- 333- 8990 F: 401- 334- 6442 Info: www.hopeglobal.com		
		TITLE <p style="text-align: center;">DUAL FESTOONED CLIP (GRAY)</p>		
SIZE	PROJECT NO.	DRAWING NO.	REV.	
A		40629	A	
SCALE: NTS	CONTROLLED IN ELECTRONIC FORMAT ONLY		SHEET: 1 OF 1	



NOTES:

1. COLOR: GRAY
2. FLAMMABILITY REQUIREMENT: FMVSS 302 WITH MAX BURN RATE OF 80mm/MINUTE.
3. MATES TO HOPE GLOBAL BEADED PROFILE 77000 SERIES.

		50 Martin Street Cumberland, R.I. 02864 P: 401- 333- 8990 F: 401- 334- 6442 Info: www.hopeglobal.com		
		SINGLE FESTOONED CLIP (GRAY)		
TITLE	SIZE	PROJECT NO.	DRAWING NO.	REV.
	A		40632	A
SCALE: NTS	CONTROLLED IN ELECTRONIC FORMAT ONLY			SHEET: 1 OF 1